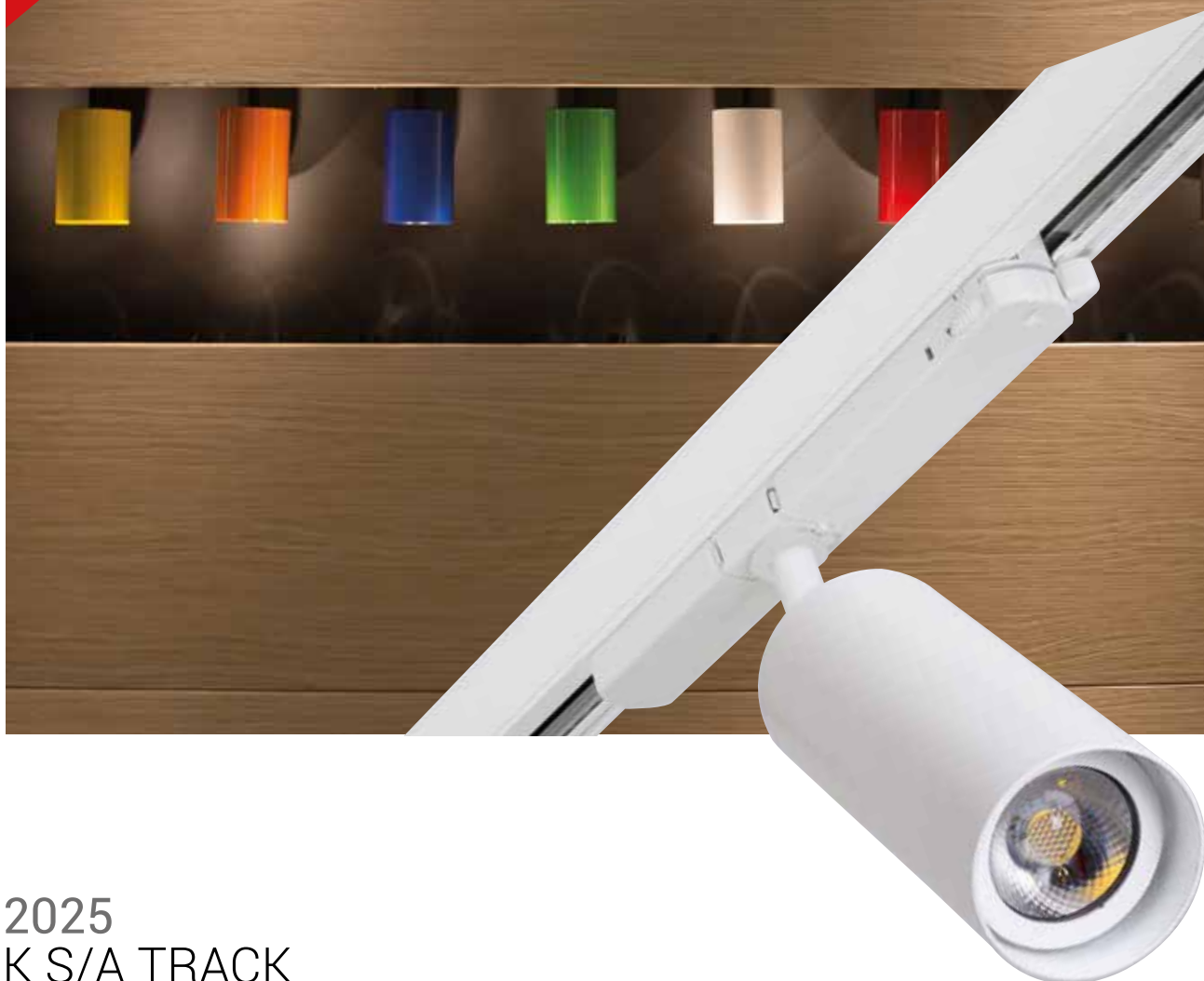
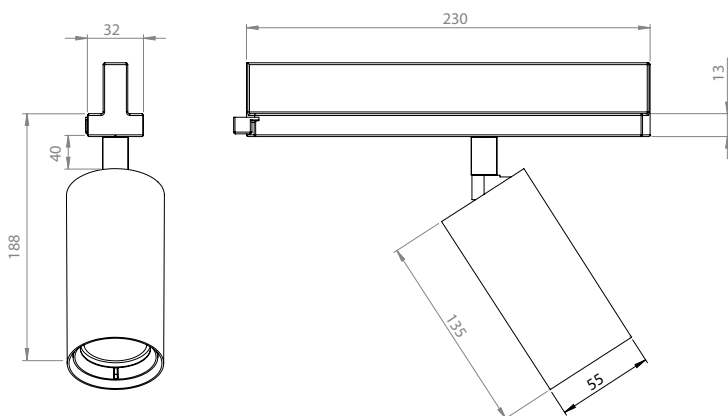


**NEW**  
Colori RAL  
RAL colours



## 2025 K S/A TRACK

Corpo in estruso di alluminio, diffusore con lente in policarbonato o riflettore 60° in alluminio, adattatore universale 3 fasi  
*Aluminium extruded body, polycarbonate lens diffuser or aluminium reflector 60°, 3 circuits universal adapter*



### Accessori / Accessories



Diffusore opale  
*Opal diffuser*  
Cod. KSSAT



Griglia  
*Honeycomb grid*  
Cod. KSGRI

## Scelta del / Choice of



Fascio / Beam

Lente  
Lens  
**F** **M**  
24° 38°

Riflettore  
Reflector  
**T**  
60°



Colori RAL / RAL colours

|                                  |                                 |                               |  |
|----------------------------------|---------------------------------|-------------------------------|--|
| <b>9006</b><br>Grigio<br>Grey    | <b>9016</b><br>Bianco<br>White  | <b>9005</b><br>Nero<br>Black  | <b>3001</b><br>Rosso<br>Red            |
| <b>2004</b><br>Arancio<br>Orange | <b>1021</b><br>Giallo<br>Yellow | <b>6029</b><br>Verde<br>Green | <b>5026</b><br>Blu Metal<br>Metal Blue |



Driver / Driver

**INCLUSO / INCLUDED**  
Driver standard  
Standard driver

## Scelta del / Choice of



€

Con Driver standard  
With standard driver

IRC/CRI >80

**A++**

| Im   | K    | W    | mA  | Cod.          |  |  |  |
|------|------|------|-----|---------------|--|--|--|
| 1580 | 2700 | 1x12 | 350 | <b>2025RB</b> |  |  |  |
| 1660 | 3000 | 1x12 | 350 | <b>20255B</b> |  |  |  |
| 1745 | 4000 | 1x12 | 350 | <b>20256B</b> |  |  |  |
| 2095 | 2700 | 1x18 | 500 | <b>2025RC</b> |  |  |  |
| 2210 | 3000 | 1x18 | 500 | <b>20255C</b> |  |  |  |
| 2315 | 4000 | 1x18 | 500 | <b>20256C</b> |  |  |  |
| 2390 | 2700 | 1x22 | 600 | <b>2025RQ</b> |  |  |  |
| 2515 | 3000 | 1x22 | 600 | <b>20255Q</b> |  |  |  |
| 2640 | 4000 | 1x22 | 600 | <b>20256Q</b> |  |  |  |

IRC/CRI >90

**A+**

|      |      |      |     |               |  |  |  |
|------|------|------|-----|---------------|--|--|--|
| 1350 | 2700 | 1x12 | 350 | <b>2025ZB</b> |  |  |  |
| 1415 | 3000 | 1x12 | 350 | <b>20257B</b> |  |  |  |
| 1495 | 4000 | 1x12 | 350 | <b>20258B</b> |  |  |  |
| 1790 | 2700 | 1x18 | 500 | <b>2025ZC</b> |  |  |  |
| 1880 | 3000 | 1x18 | 500 | <b>20257C</b> |  |  |  |
| 1990 | 4000 | 1x18 | 500 | <b>20258C</b> |  |  |  |
| 2045 | 2700 | 1x22 | 600 | <b>2025ZQ</b> |  |  |  |
| 2140 | 3000 | 1x22 | 600 | <b>20257Q</b> |  |  |  |
| 2260 | 4000 | 1x22 | 600 | <b>20258Q</b> |  |  |  |

IRC/CRI >90

**FASHION**

**A+**

|      |      |      |     |               |  |  |  |
|------|------|------|-----|---------------|--|--|--|
| 1530 | 3250 | 1x12 | 350 | <b>2025WB</b> |  |  |  |
| 1935 | 3250 | 1x15 | 450 | <b>2025WC</b> |  |  |  |

IRC/CRI 98

**ART**

**A+**

|      |      |      |     |               |  |  |  |
|------|------|------|-----|---------------|--|--|--|
| 1450 | 3000 | 1x12 | 350 | <b>2025QB</b> |  |  |  |
| 1835 | 3000 | 1x15 | 450 | <b>2025QC</b> |  |  |  |

**NB:** per la tabella colori fare riferimento alla tabella RAL  
for the color chart refer to the RAL table

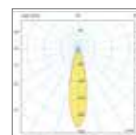
Esempio codice  
Example code

**2025QB** → **F 9005**

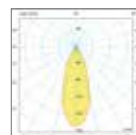


Per un prodotto da 1450 lm · 3000 K · 1x12 W  
350 mA · Fascio 24° · Colore nero · Driver standard  
For a product to be 1450 lm · 3000 K · 1x12 W  
350 mA · Beam 24° · Black colour · Standard driver

24°



38°



60°

