

FL211 LED Fiberoptic Illuminator Outdoor



JOB NAME	TYPE
----------	------

SPECIFICATIONS

FEATURES

USB programmable
Stand-alone operation
DMX controllable

ELECTRICAL

Input Voltage: 12V DC
Input Current: 3A MAX

OPERATING ENVIRONMENT

Ingress Protection: IP66
Exposure: Wet location
Operating Temperature: -20° to 45°C
Storage Temperature: -40° to 75°C
Acoustic Noise: 0 dBA

MECHANICAL

Material/Finish: Black anodized aluminum
Weight: 2.93 lbs.
Dimensions: 8.2" x 4.4" x 4.4"
DC input cord length: 6ft
Thermal Management: Fanless

MOUNTING

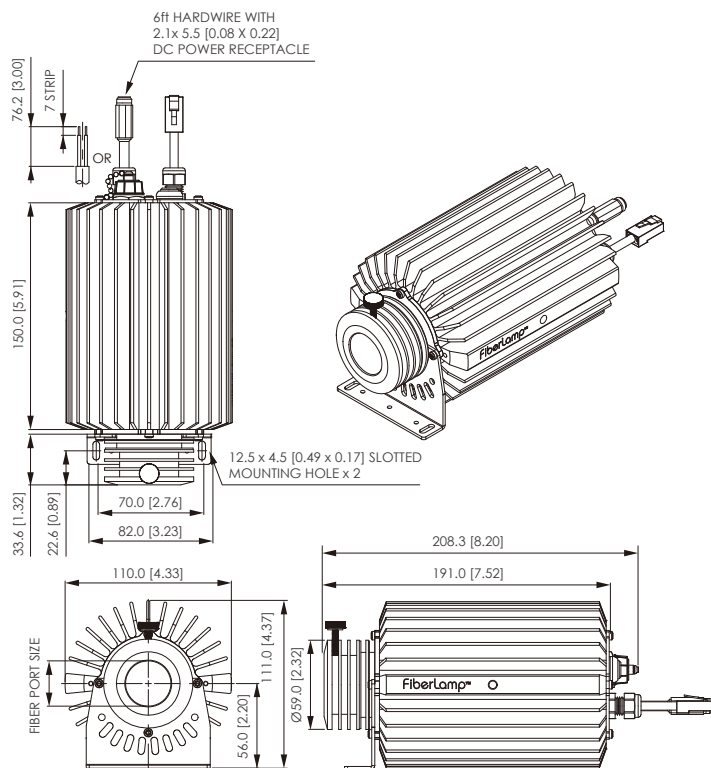
OK to mount in any orientation
Install in a well ventilated location



OPTICAL PERFORMANCE

Device Color	Port Lumens*	Minimum CRI
Mixed RGB	240/480/100lm	NA
2800K White	810lm	90
3000K White	810lm	90
4200K White	810lm	90
4400K White	810lm	90
5000K White	810lm	85
6500K White	990lm	75

*Typical value at 25°C ambient



ORDERING GUIDE*1

FL211	—	—	—	—
Device Color		Fiber Port Size	Homogenizer	Power Supply
MX Mixed RGB		30 30mm	N No Homogenizer	P1 Portable LPS w/ DC Connector
2800 2800K White		33 33mm	H With Homogenizer	H1 Hardwired Unit
3000 3000K White				01 No Power Supply, Fly Leads
4200 4200K White				
4400 4400K White				
5000 5000K White				
6500 6500K White				

FIBER CAPACITY: Using 0.75mm Diameter Fiber: 700 fibers max in 30mm Fiber Port, 1000 fibers max in 33mm Fiber Port. Large Core outer diameter: 30mm for 30mm Fiber Port, 33mm for 33mm Fiber Port. Accessories offered for common end diameters less than 30mm and 33mm: ACS30-xx and ACS33-xx. **HOMOGENIZER:** Homogenizer is suggested when using stranded fiber to ensure each strand is illuminated equally in intensity and color. **POWER SUPPLY INFORMATION:** Reference FiberLamp.com for power supply information.

Example: FL211-2800-30-N-P1

Please contact Catalina Lighting for further details



Ph: 0433 490 844
E: sales@catalinalighting.com.au
W: www.catalinalighting.com.au

FiberLamp
www.FiberLamp.com

1689 Regatta Blvd, Richmond, CA 94804
t 510.620.5200
f 510.620.4102
sales@diconlighting.com